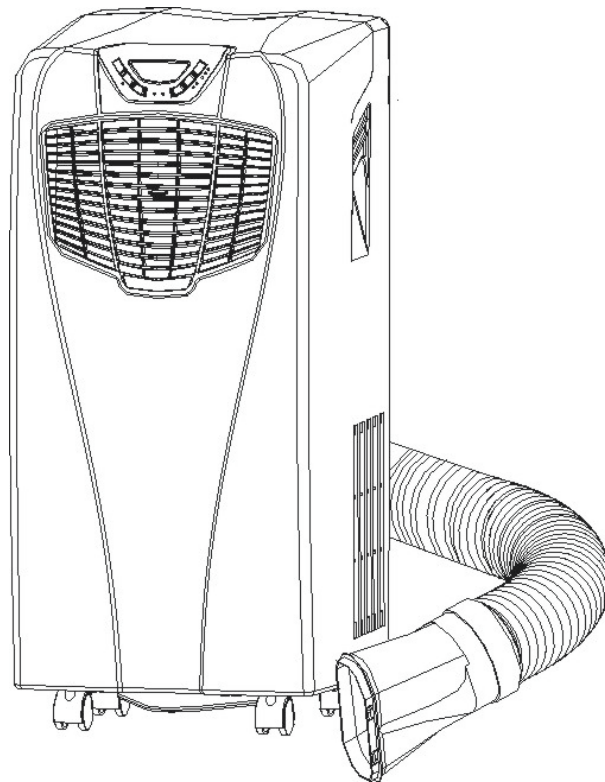




PLEASE READ AND SAVE THESE INSTRUCTIONS

**NewAir AC-10000E, AC-10000H
Portable Air Conditioner
Owner's Manual**



BEFORE USE

GENERAL SAFETY INSTRUCTIONS:

- ALWAYS OPERATE THE UNIT IN AN UPRIGHT POSITION AND PLACE IT ON A FLAT, LEVEL SURFACE AT LEAST 14" (36CM) AWAY FROM ANY OTHER OBJECTS (FIG 1 & 4).
- DO NOT PLACE OBJECTS ON THE UNIT AND DO NOT COVER OR OBSTRUCT THE INLET OR OUTLET GRILLES (FIG. 2).
- THIS APPLIANCE IS NOT INTENDED FOR USE BY PERSONS (INCLUDING CHILDREN) WITH REDUCED PHYSICAL, SENSORY OR MENTAL CAPABILITIES, OR LACK OF EXPERIENCE AND KNOWLEDGE, UNLESS THEY HAVE BEEN GIVEN SUPERVISION OR INSTRUCTION CONCERNING ITS USE BY A PERSON RESPONSIBLE FOR THEIR SAFETY. CHILDREN SHOULD BE SUPERVISED TO ENSURE THAT THEY DO NOT PLAY WITH THE APPLIANCE.



FIG. 1

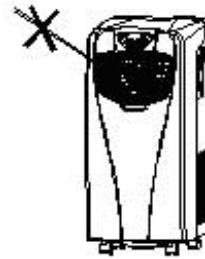


FIG. 2

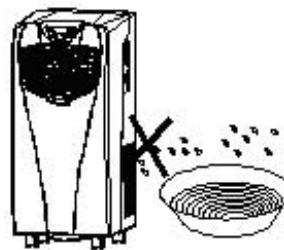


FIG. 3

ELECTRICAL SAFETY:

- THIS APPLIANCE IS FOR INDOOR USE ONLY.
- ALWAYS SWITCH OFF THE UNIT AND UNPLUG IT WHEN NOT IN USE.
- DO NOT USE THIS UNIT IN EXCESSIVELY HUMID OR WET ENVIRONMENTS (FIG 3)
- DO NOT PULL OR PLACE STRAIN ON THE POWER CORD WHEN MOVING THE APPLIANCE.
- IF THE POWER CORD IS DAMAGED, IT MUST BE REPLACED BY AN ELECTRICIAN OR SPECIALIZED TECHNICIAN AUTHORIZED BY THE MANUFACTURER IN ORDER TO PREVENT FIRE.

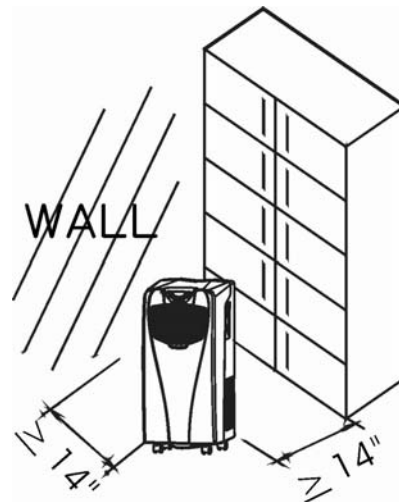


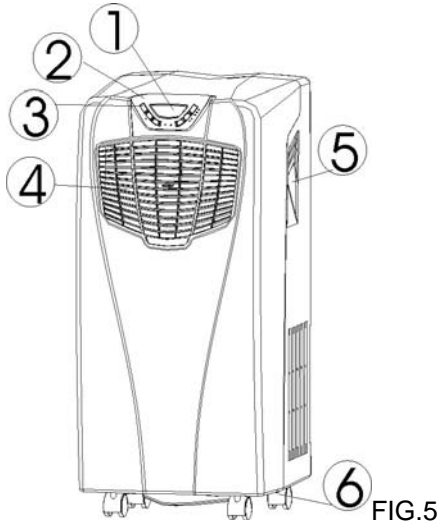
FIG. 4

FOR MAXIMUM EFFICENCY:

- Make sure doors and windows are closed while the portable air conditioner is in use. Also keep curtains and blinds closed during the sunniest parts of the day while it is in operation.
- Frequently clean the filters.
- Once the room or area has reached your desired comfort level, be sure to reduce the unit's temperature and ventilation settings.

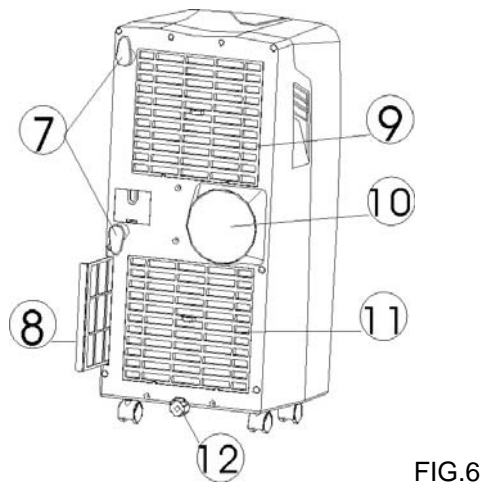
PARTS LIST

Front



1. Display window
2. Control panel
3. Control buttons
4. Louvers
5. Carrying handle
6. Casters

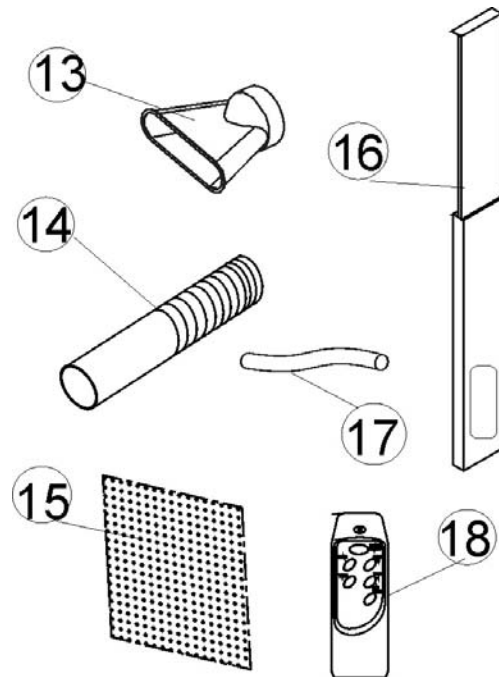
Back



7. Cord wrap
8. Air filter
9. Air inlet
10. Exhaust air outlet
11. Air inlet
12. Water plug/drainage port

Accessories

13. Hose adaptor (goes over hose and into the window kit)
14. Exhaust hose
15. Activated carbon filter
16. Extendable window kit
17. Hose for continuous drainage
18. Remote control



INSTALLATION INSTRUCTIONS

Installing the Exhaust Hose

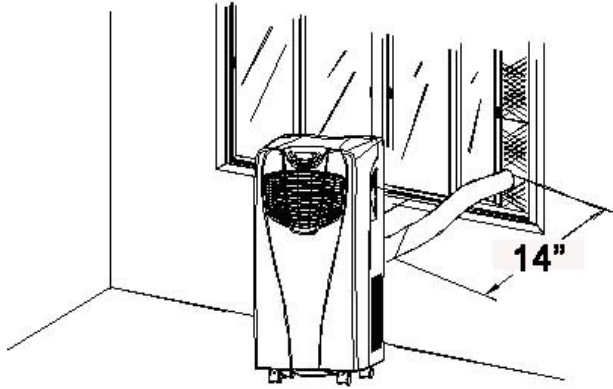


FIG.8

1. Open the window and insert the window kit into the open gap.
2. Close the window until the window kit is held securely. You may need to adjust the size of the window kit and secure it with screws. This technique may also be used for sash windows.
3. Fit the exhaust hose into the exhaust air outlet located at the back of the air conditioner.
4. Attach the hose adapter onto the exhaust hose.
5. Attach the hose adapter to the window kit.

Positioning the Exhaust Hose

- Insert the exhaust hose into the back of the unit and tighten it into place.
- Avoid kinks and bends in the exhaust hose. These can cause expelled moist air to accumulate, resulting in overheating and unexpected shut offs (See Fig 9 & 10).
- The exhaust hose may be extended from 12 inches (300 mm) to 59 inches (1500 mm), but for maximum cooling efficiency, use the shortest length possible.

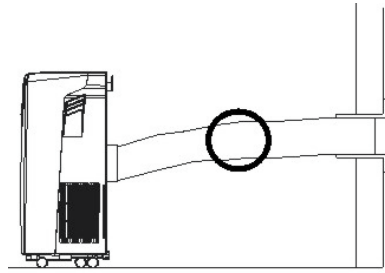


FIG. 9

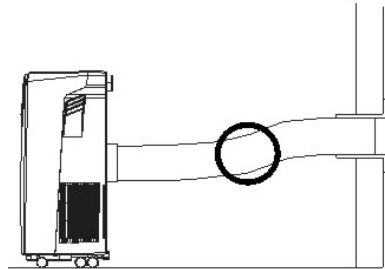


FIG. 10

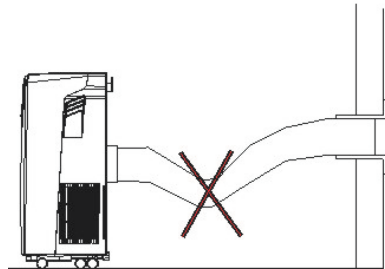


FIG. 11

WARNING:

The included exhaust hose is specially designed to fit the specifications of this unit. Do not extend it with your own hose, as this can cause the air conditioner to malfunction.

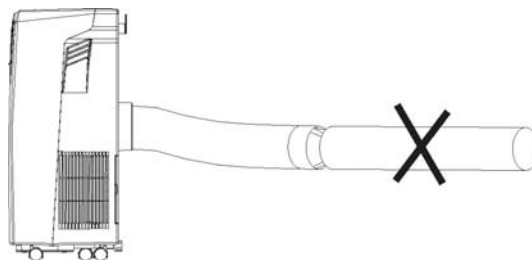


FIG. 12

Installing the Activated Carbon Filter

1. Remove the filter frame from the unit.
2. Remove the activated carbon filter from its plastic bag.
3. Insert the activated carbon filter into the back of the unit.
4. Reattach the filter frame onto the unit.

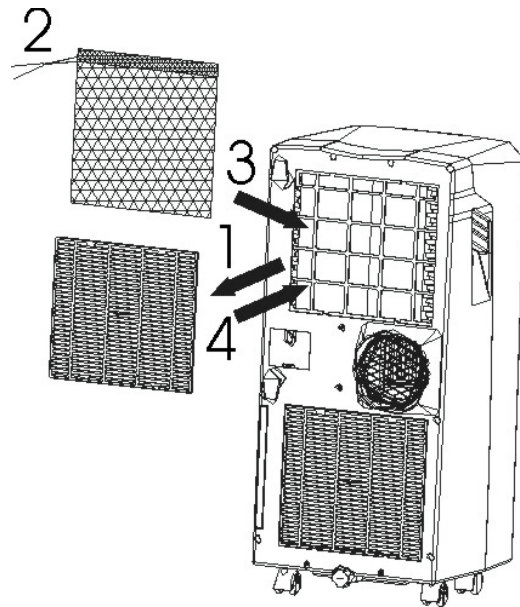


FIG.13

OPERATING INSTRUCTIONS

Control Panel

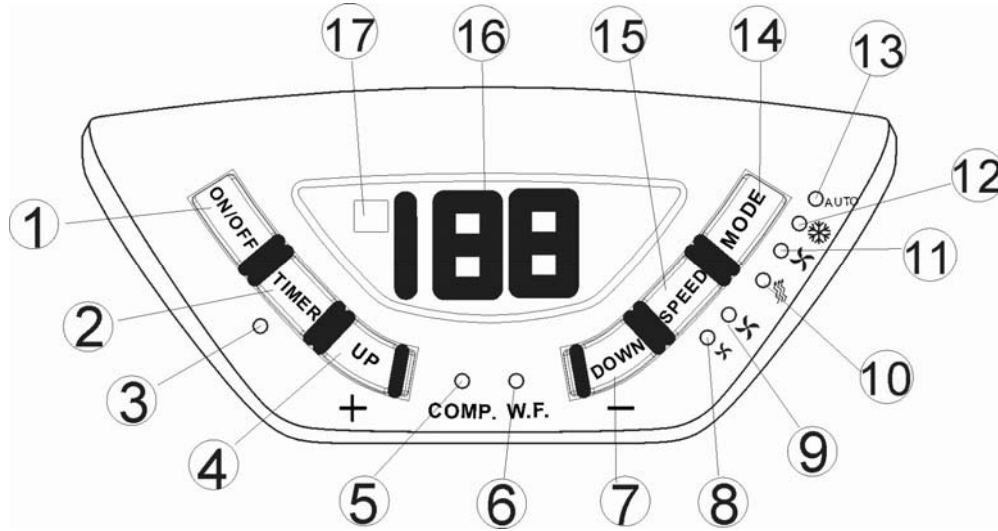


FIG.14

- | | |
|-------------------------------------|---|
| 1. ON/OFF (power) button | 10. Heating mode indicator light (only for AC-10000H) |
| 2. Timer button | 11. Fan mode indicator light |
| 3. Timer indicator light | 12. Cooling mode indicator light |
| 4. Temperature increase button | 13. Automatic mode indicator light |
| 5. Compressor indicator light | 14. Mode selection button |
| 6. Full water tank indicator light | 15. Fan speed (ventilation) button |
| 7. Temperature decrease button | 16. Display window |
| 8. Low ventilation indicator light | 17. Remote control receiver |
| 9. High ventilation indicator light | |

Turning the Unit On and Off

1. Press the ON/OFF button. The unit will start automatically. If the ambient temperature is:
 - Higher than 74°F, the unit will operate in cooling mode.
 - Higher than 68°F but below or equal to 74°F, the unit will operate in fan mode.
 - Equal to or below 68°F, the unit will operate in heating mode (heating mode is only available on model # AC-10000H).
2. The indicator lights showing any functions will turn on. Please note that the display window will only show ambient room temperatures ranging from 32°F to 122°F.
3. To turn the unit off, press the ON/OFF button again.

Setting the Mode/Function

1. Press the MODE button to select the desired mode (cooling, heating, fan or automatic).
2. The selected mode's indicator light will turn on.

Setting the Temperature

1. Press the UP or DOWN button to change the set temperature.
2. The display window will then indicate the set temperature. If no temperature is set, the display will show the room's ambient temperature.
3. Please note that the default cooling temperature of this portable air conditioner is 75° F.

Setting the Fan/Ventilation Speed

1. Press the SPEED button to select the desired fan speed (high or low). The appropriate indicator light (high or low) will turn on accordingly.
2. If the unit is in AUTO mode, the fan speed will be automatically set according to the ambient temperature (the appropriate indicator light will turn on). Please note that when the unit is in AUTO mode, the speed setting cannot be changed.

Setting the Timer

1. Press the TIMER button to set the desired number of operating hours (from 1 to 12 hours). When the set time has been reached, the machine will automatically turn off. The display window will show the number of hours being set as you press the TIMER button. If the TIMER is not set, the unit will work continuously.
2. By pressing the TIMER button without selecting any other modes or settings, you can set the number of hours to be delayed before the unit turns on. For example, if you press the TIMER to "2", the unit will automatically turn on after 2 hours.

Heating Mode (only for model no. AC-10000H)

When the air conditioner is in heating mode, ambient warm air is recycled and used to heat your immediate area. **The exhaust pipe will still need to be fitted onto the unit in order for the cold air to be removed.** When in heating mode, the machine can be set on HIGH or LOW speed.

All of the above functions can also be performed with the included remote control.

The remote control requires 2 AAA batteries to operate.

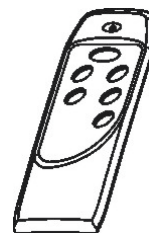


FIG. 15

Regulating the Air Flow Direction

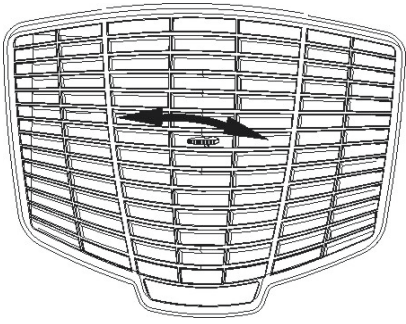


FIG. 16

To control the air flow direction, adjust the knob on the louvers.

PLEASE NOTE:

1. To prolong the life of the compressor, after turning off the unit, please wait at least 3 minutes before turning it back on.
2. The cooling system will switch off if the ambient temperature is lower than the set temperature (the ventilation will keep working at the set level). If the ambient temperature rises above the selected level, cooling will resume.

DRAINING THE UNIT

During the cooling process, some water will be extracted from the air and stored within the unit's water reservoir.

If the water reservoir is full, both the compressor and motor will stop and the unit will beep (press any button to stop the beeping sound). The full water tank indicator light will also start flashing.

To resume cooling, empty the reservoir by following these steps:

1. Turn off the air conditioner and unplug it from the wall socket. To prevent water leakage, avoid moving the unit when full.
2. Place a container (such as a small pan) underneath the drainage port.
3. Remove the water plug from the drainage port and allow the water to drain out.
4. When the container is almost full, replace the water plug back into the drainage port and empty the water container.
5. Repeat until the water reservoir is completely empty.
6. Replace the water plug back into the drainage port and make sure it is firmly in place.
7. Turn the unit back on. The warning signal should be off.

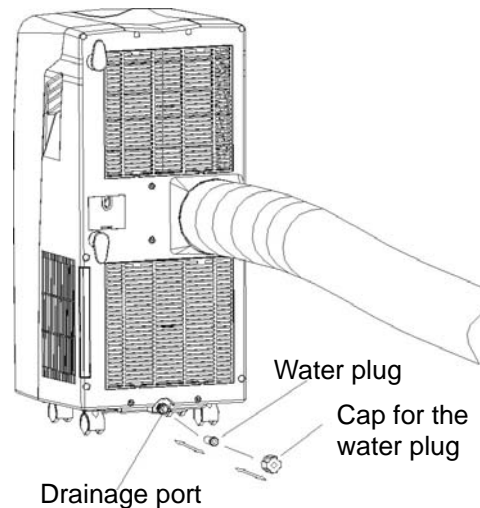


FIG.17

For Continuous Drainage

- Remove the water plug from the drainage port and retain it for future use.
- Connect the drainage hose included with unit to the drainage port as shown. Connect the other end of the hose into a drain.

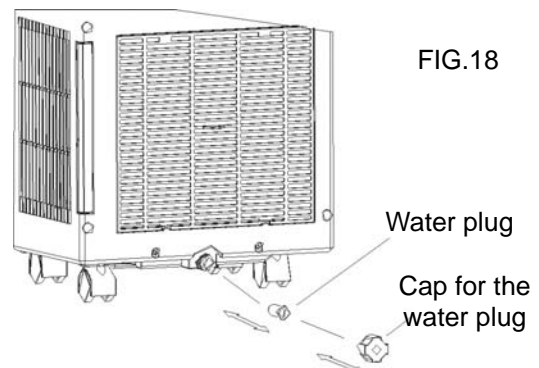


FIG.18

- The drainage hose may be extended by adding an extension hose using a suitable connector.

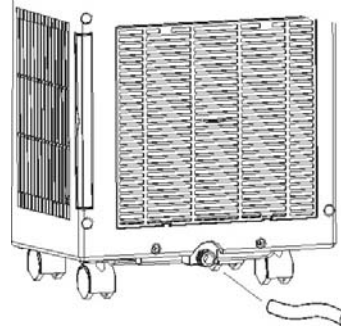


FIG.19

Drainage hose included with the unit

PLEASE NOTE:

1. The drain must be at or below the level of the drainage port.
2. The full water tank indicator light will not work when the unit is being continuously drained.
3. To extend the drainage hose, you can connect it with another hose with an overall diameter of 0.7" (18 mm).
4. If room humidity levels are over 85%, it will be necessary to continuously drain the unit using the drainage hose.

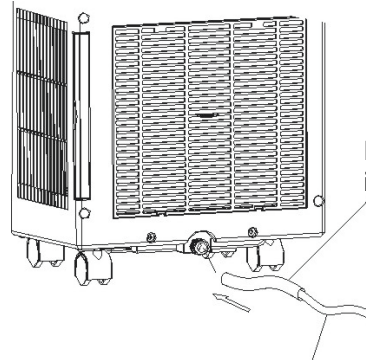


FIG.20

Drainage hose included with the unit

Extension hose (OD: 0.7")

For Heating Mode (only for model no. AC-10000H)

While using the heating function, please note the following:

1. In order to properly exhaust cool air, make sure the exhaust hose and window kit are properly installed (refer to page 4 for instructions).
2. Set up the air conditioner for continuous drainage using the drain tube (refer to page 10 & 11 for instructions).

The working range for the heating function is 32° F to 68°F. The unit may not provide optimal heating if used in temperatures outside this range

MAINTENANCE INSTRUCTIONS

**Always unplug the air conditioner from the power supply before cleaning.
To maximize the efficiency of the air conditioner, regularly clean the unit.**

Cleaning the Housing

- Use a soft, damp cloth to wipe the body clean.
- Never use strong chemicals, gasoline, detergents, chemically-treated cloths, or any other cleaning solutions to clean the air conditioner, as these can all potentially damage the unit's housing.

Cleaning the Filters:

- Use a vacuum cleaner or tap the filter lightly to remove loose dust and dirt from the filters and then rinse them thoroughly under running water (no warmer than 104°F).
- Thoroughly dry the filters before replacing them back into the unit.

PLEASE NOTE:

Never operate the unit without the filters.

End of Season Storage

- Completely drain any condensed water from the unit.
- Set the air conditioner on fan mode (ventilation only) for a few hours to thoroughly dry the inside of the unit.
- Clean or change the filter.
- Unplug and wrap the power cord around the cord wrap as shown (fig. 21).
- Place the unit back in its original carton and store it in a clean, dry area.

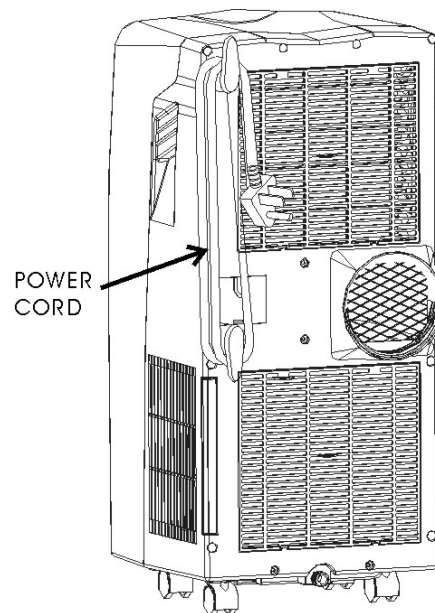


FIG.21

TROUBLESHOOTING

- The air conditioner does not function.
- Is the air conditioner plugged in?
 - Is the power outlet functioning correctly?
 - Is the full water tank indicator light flashing?
 - Is the ambient room temperature lower than the set temperature?
- The unit does not produce adequate cooling.
- Is the unit placed in direct sunlight? If so, close any curtains or move the unit to a more shaded area.
 - Are too many windows or doors open?
 - Are there too many people in the room?
 - Are there additional heat sources in the room?
 - Is the filter dusty or dirty?
 - Is the air inlet or air outlet blocked?
 - Is the ambient room temperature lower than the set temperature?
- The unit is noisy.
- Is the machine positioned unevenly?
 - Is the unit positioned on an even, solid surface?
- The compressor does not work.
- Is the compressor's overheat protection function activated? If so, wait for the temperature to drop and then turn on the unit again.

☆ **Never try to repair and dismantle the unit yourself. Unauthorized repairs can void your warranty and endanger the user.**

TECHNICAL SPECIFICATIONS

Model Number:	AC-10000E	AC-10000H
Voltage / Frequency	115V / 60Hz	
Power Consumption for cooling**	909W / 8.3A	
Power Consumption for heating**	NIL	830W / 7.6A
Air Volume (Maximum Speed)	300 m ³ /h	
Dehumidification Capacity	2.1 pints/hr (1 L/hr)	
Compressor Type	Rotary	
Refrigerant Type	R-410A	
Number of Fan Speeds	2	
Timer	1 ~ 12 hours	
Exhaust Pipe Dimensions	Ø4.72" X 59.06" (Ø120x1500 mm)	
Product Weight	50.7 lbs (23kg)	
Product Dimensions (W x D x H)	12.2" x 13.8" x 28" (310 x 350 x 710 mm)	

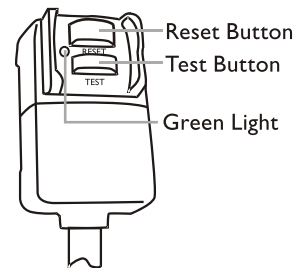
ADDITIONAL REMARKS:

1. The data marked with "*" may vary for technical reasons; for more accurate data, please refer to the rating label found on the back of the unit.

2. Measuring condition for the above specifications:
 Cooling –DB = 95°F (35°C), WB= 82.94°F (28.3° C)
 Heating – DB= 68°F (20°C) , WB= 59°F (15°C)

* D.B. = dry bulb temperature = room temperature

* W.B. = wet bulb temperature = relative humidity



LIMITED MANUFACTURER'S WARRANTY

This appliance is covered by a limited manufacturer's warranty. For one year from the original date of purchase, the manufacturer will repair or replace any parts of this appliance that prove to be defective in materials and workmanship, provided the appliance has been used under normal operating conditions as intended by the manufacturer.

Warranty Terms:

During the first year, any components of this appliance found to be defective due to materials or workmanship will be repaired or replaced, at the manufacturer's discretion, at no charge to the original purchaser. The purchaser will be responsible for any removal or transportation costs.

Warranty Exclusions:

The warranty will not apply if damage is caused by any of the following:

- Power failure
- Damage in transit or when moving the appliance
- Improper power supply such as low voltage, defective household wiring or inadequate fuses
- Accident, alteration, misuse or abuse of the appliance such as using non-approved accessories, inadequate air circulation in the room or abnormal operating conditions (extreme temperatures)
- Use in commercial or industrial applications
- Fire, water damage, theft, war, riot, hostility or acts of God such as hurricanes, floods, etc.
- Use of force or damage caused by external influences
- Partially or completely dismantled appliances

Obtaining Service:

When making a warranty claim, please have the original bill of purchase with purchase date available. Once confirmed that your appliance is eligible for warranty service, all repairs will be performed by a NewAir™ authorized repair facility. The purchaser will be responsible for any removal or transportation costs. Replacement parts and/or units will be new, re-manufactured or refurbished and is subject to the manufacturer's discretion.

For technical support and warranty service, please call [1-855-9Newair](tel:1-855-9Newair) or email support@newair.com.